

# **BONALDO**

## Newton, Newton low

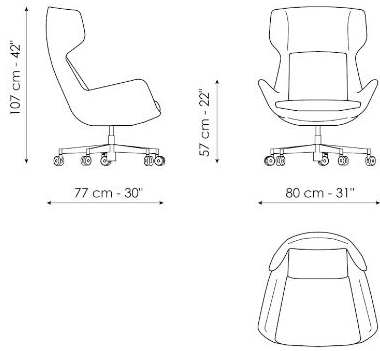


The Newton office armchair is immediately impressive thanks to its imposing seat, which offers all-enveloping comfort, resulting from the high backrest and the wide and comfortable shell. In addition to offering maximum comfort, essential for prolonged use of the armchair in work environments, the high backrest makes it elegant and perfect for the business world, where it can be placed within an executive or presidential context. Newton is upholstered in

either a single-material version in leather or fabric, or in a double-covering version in which the seat is in fabric and the front cushions are available in leather. The swivel base has five supports on wheels. The Newton low office armchair is part of the Newton family and as such it can be combined to complement an executive office as a guest seat, while also being perfect as an independent element in modern and elegant office and living spaces.



# Data sheet

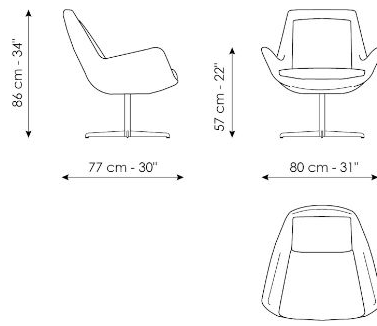


## Newton

Width: 77cm

Depth: 80cm

Height: 107cm



## Newton low

Width: 77cm

Depth: 80cm

Height: 86cm

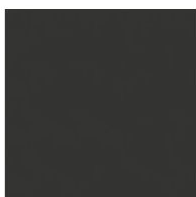
# Finishes

## SWIVEL BASE

Plus Metal



**Painted metal**  
Mat bronze



**Painted metal**  
Mat lead

---

Materials, fabrics, leathers, colors and finishes are approximate and may slightly differ from actual ones. You can find the complete collection of Bonaldo fabrics and leathers on the website

