



**ONTARIO** ANTONIO CITTERIO 2020

SOFAS

---

## ONTARIO | ANTONIO CITTERIO | 2020

**Structure** in solid iroko wood with natural, stained grey, lacquered white, stained brown finish. Spacers in die-cast zama with transparent epoxy powder-coat finish

**Base** in epoxy powder-coat 316 stainless steel and compact laminated panel. Feet rest on tips made of thermoplastic material

**Seat cushion** in polyurethane foam and polyester fiber covered with a protective, water-repellent laminated fabric

**Backrest cushion** in polyurethane foam and polyester fiber, with water repellent

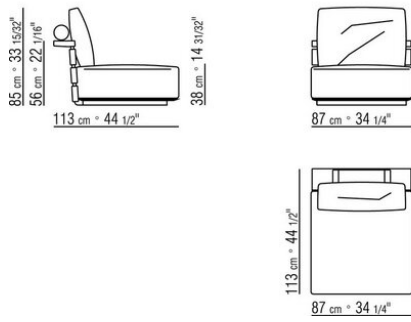
upholstery. Bolster in polyurethane foam and polyester fiber, with water repellent upholstery

**Optional cushions** in polyurethane foam and polyester fiber, with water repellent upholstery. Upon request, with upcharge

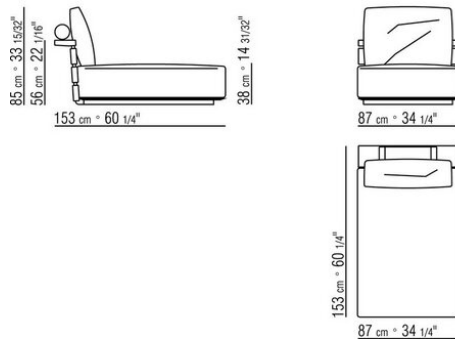
**Upholstery** in removable fabric

**Cover** in waterproof material; cover is upon request, with upcharge

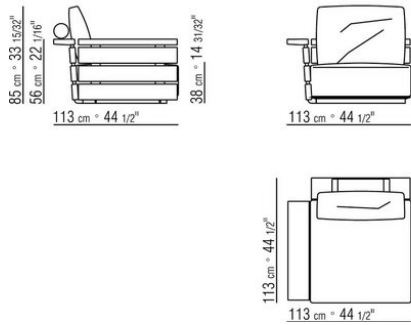
COD. 0279A2



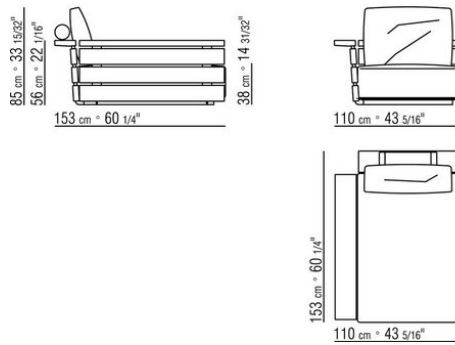
COD. 0279A4



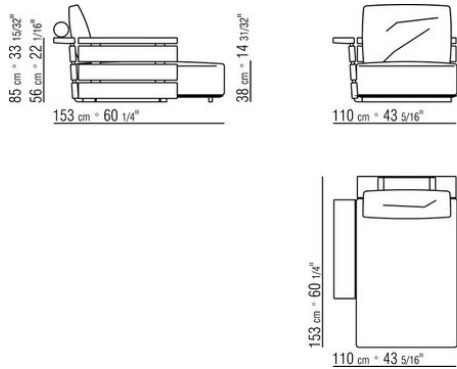
COD. 0279B1



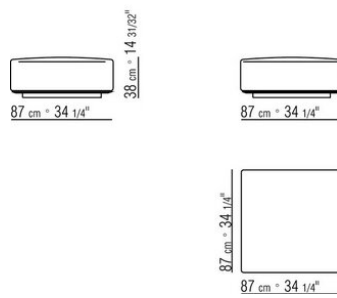
COD. 0279B5



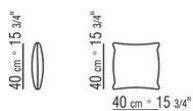
COD. 0279D5



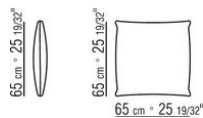
COD. 0279G0



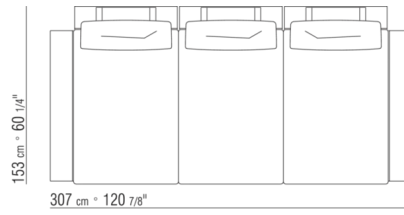
COD. 0279M7



COD. 0279M9

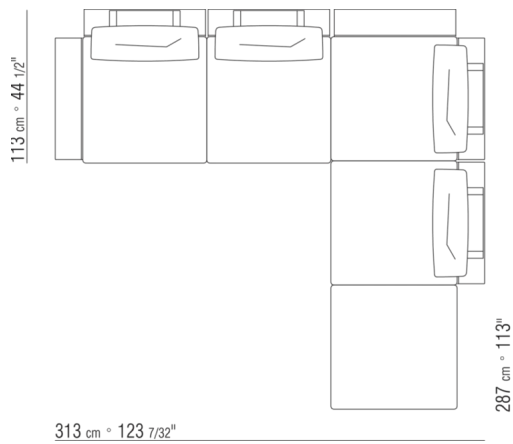


0279XA



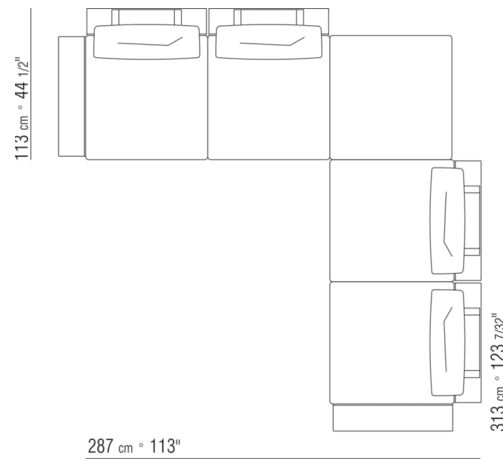
- N.1 COD.0279B5 - END UNIT L CM.110 x153
- N.1 COD.0279A4 - UNIT CM.87 x153
- N.1 COD.0279B4 - END UNIT R CM.110 x153

0279XB



- N.2 COD.0279B1 - END UNIT L CM.113 x113
- N.2 COD.0279A2 - UNIT CM.87 x113
- N.1 COD.0279G0 - OTTOMAN CM.87 x87

0279XC



- N.1 COD.0279B1 - END UNIT L CM.113 x113
- N.2 COD.0279A2 - UNIT CM.87 x113
- N.1 COD.0279G0 - OTTOMAN CM.87 x87
- N.1 COD.0279B0 - END UNIT R CM.113 x113